

SUNSTAR COLLECTOR

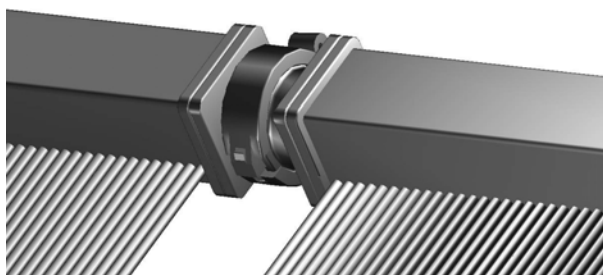
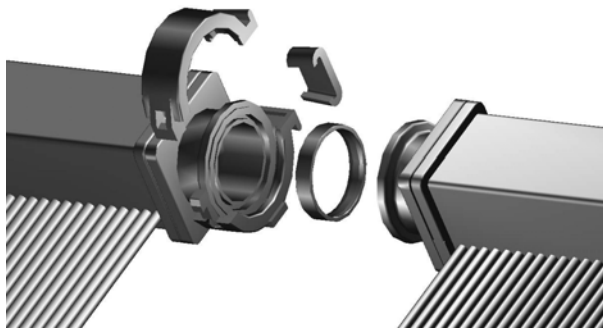
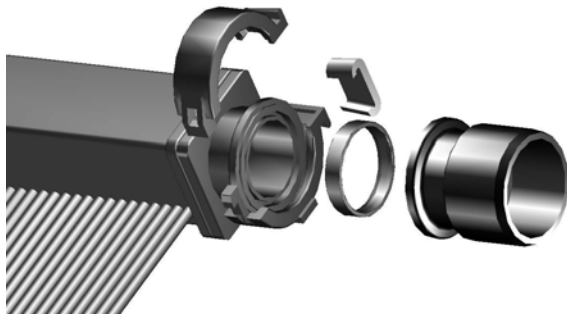


Collector Model	STR-50	STR-40
Size, Nominal	4'x12.5'	4'x10.5'
Width	47" / 120cm	47" / 120cm
Length	152.1" / 380cm	127" / 323cm
Area (sq. ft.)	50.0 / 4.65m ²	41.6 / 3.88m ²
Manifold Diameter	2" / 5.08cm	2" / 5.08cm
Weight, Dry	22lbs / 10kg	19lbs / 8.5kg
Volume Capacity	3.7gal / 14L	3.1gal / 12L
Working Pressure	90 PSI	90 PSI
Burst Pressure	270 PSI	270 PSI
Recommended Flow	5 GPM	4 GPM

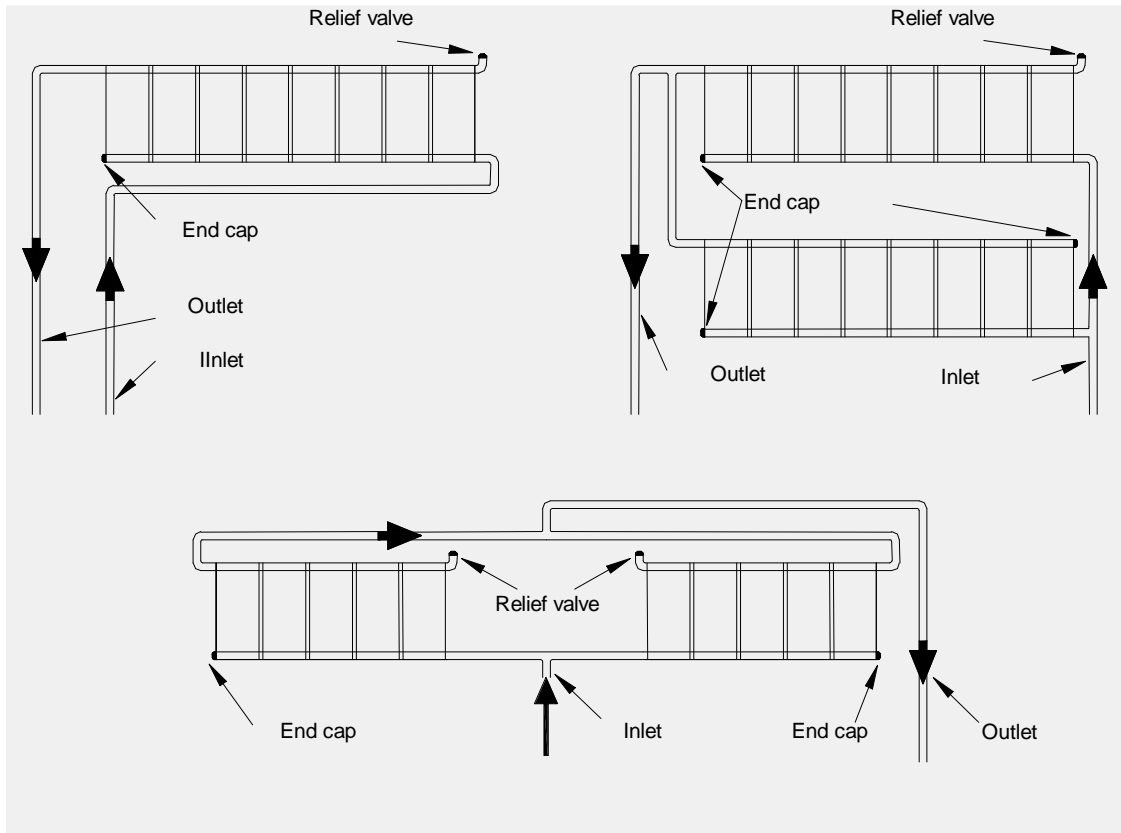




SUNSTAR INSTALLATION DRAWINGS



CONNECTION EXAMPLES



CONNECTION DIAGRAM

